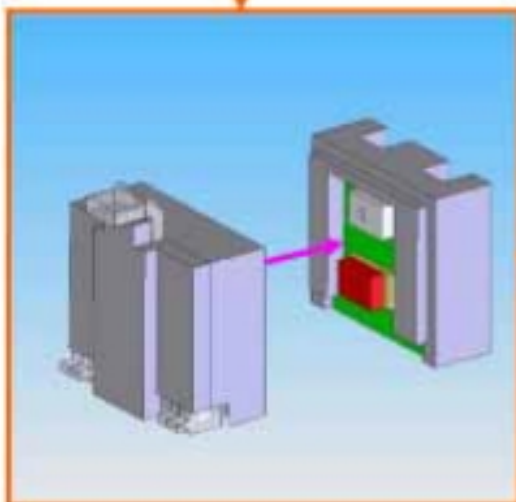
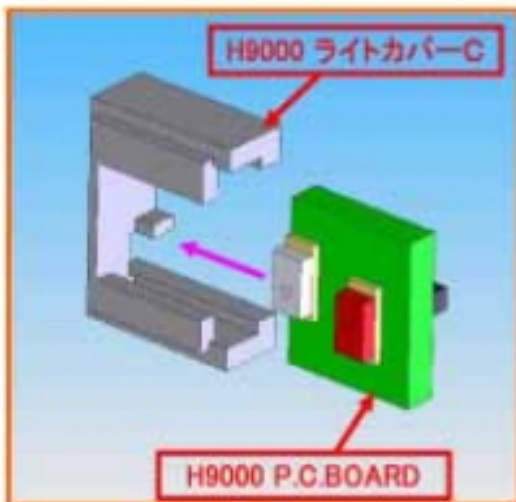
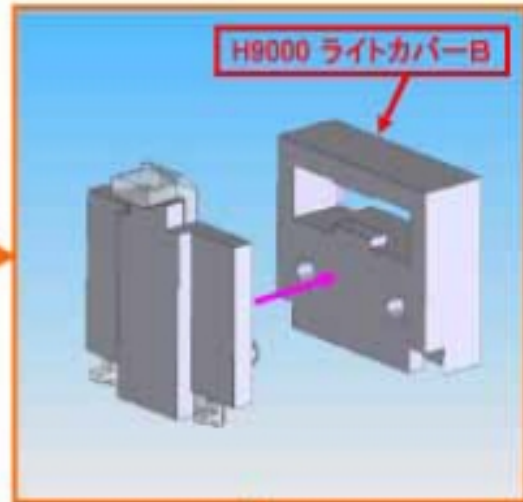
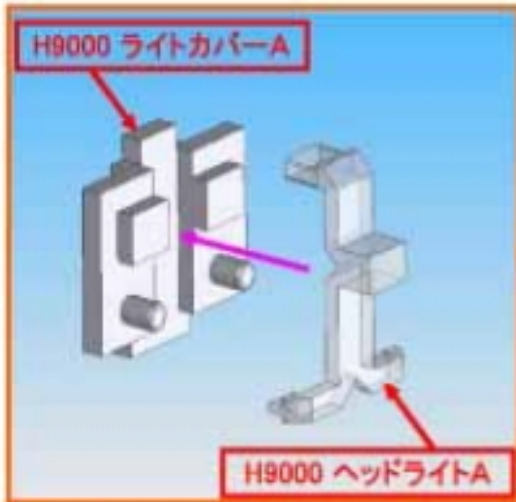


Assemble Plastic Parts & PCB

ライトパーツ組立



**Put PCB parts inside the body &
Place the Chassis inside the body**

